

myzox



**DIGEST
CATALOG
2024**

WIDE ANGLE PRISM SERIES

Myzox Co., Ltd.

360 degree Prism (Hybrid Surveying) ZERO360Eight Hybrid

Specifications

Model	Z-360EH
Prism constant	0mm
Prism height	50mm
Hybrid height	105mm
Targetable angle	Vertical $\pm 30^\circ$ Horizontal 360°
GNSS receiver	
Capable weight	Up to 2kg
Screw (top)	UNC5/8-11 male
(bottom)	W5/8-11 female
Dimensions	62×62×119mm
Weight	approx. 320g



Features

Prism constant 0mm

Preventing errors with 0mm offset.

Hybrid survey

GNSS receiver can be mounted on top.

Robust body

Metal body for high durability.

Reduce the prism lost

through a seamless arrangement of 8 prisms.

Replaceable prisms

Each prism is independent and non-glued.

Options

Shoe with Center Punch

Layout Pointer LP-PN



Just push to make a dent!



360 degree Prism ZERO360Eight

Specifications

Model	Z-360E
Prism constant	0mm
Prism height	50mm
Targetable angle	Vertical $\pm 30^\circ$ Horizontal 360°
Circular level	40'/2mm (built-in)
Dimensions	62×62×80mm
Weight	approx. 270g



Features

Prism constant 0mm

Preventing errors with 0mm offset.

Compatible with 9mm dia. pole

Compatible with the commonly used 9mm dia. pole.

Reduce the prism lost

through a seamless arrangement of 8 prisms.

Replaceable prisms

Each prism is independent and non-glued.



Options

Colorfast Pin Pole

MPP-12



Can be banded in the case!



Prism Sizes

Myzox prisms come in various sizes. Please choose the most suitable prism according to your usage and distance requirements.



Prism Constant

Prism constants can be selected based on a preference for accuracy or convenience.

Prism Constant **0 mm**
Same prism constant as widely used mini prisms, reducing setting errors.



Prism Constant **-4.4 mm**
Prism constant that minimizes angular errors.



Prism Constant **-5 mm**
Prism constant that minimizes angular errors.



Wide Angle Prism (220 degree) ZERO220 PLUS

Specifications

Model	Z-220P
Prism constant	0mm
Prism height	25mm
Targetable angle	Vertical $\pm 15^\circ$ Horizontal 220°
Circular level	40' / 2mm (built-in)
Dimensions	45 x 65 x 50mm
Weight	approx. 137g



Features

Prism constant 0mm

Preventing errors with 0mm offset.

View Port

Prism center height checkable from back.

Compatible with 9mm dia. pole

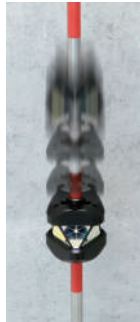
Compatible with the commonly used 9mm dia. pole.

Slidable

Easy slide adjustment to any desired height.

Replaceable prisms

Each prism is independent and non-glued.



Options

Grip for Pin Pole

TAKT TK9



Lay it on the ground
without scratching the prism!

360 degree Prism (-4.4 mm offset) REVO360

Specifications

Model	R-360
Prism constant	-4.4mm
Prism height	25mm
Targetable angle	Vertical $\pm 25^\circ$ Horizontal 360°
Circular level	46' / 2mm (add-on)
Dimensions	46 x 46 x 74mm
Weight	approx. 120g



Features

Compatible with 9mm dia. pole

Compatible with the commonly used 9mm dia. pole.

Replaceable prisms

Each prism is independent and non-glued.

Precise prism position

Prism position with minimal angular error



Options

Mini Prism Kit Case

M-PKC



All-in-one prism kit for civil surveying!

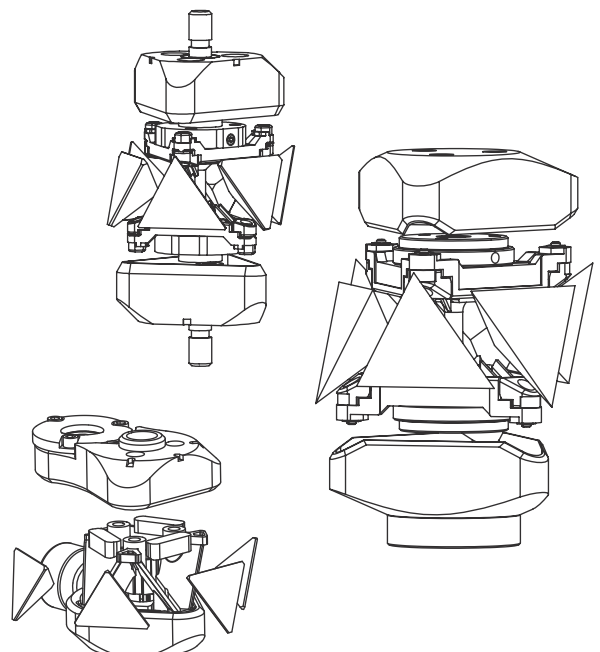
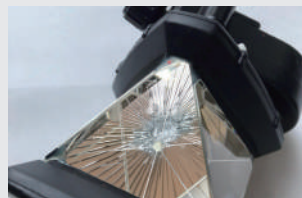
Prism Repairable

The individual prisms used in our wide angle prisms are independent and are assembled without any adhesives, using a fitting method. In the event that a prism is dropped or bumped into an obstacle, causing damage to the prism, only the damaged prism needs to be replaced.

This approach minimizes both effort and cost.



Since most common prisms are bonded together, if one piece of glass breaks, all the glass will need to be replaced.



Grader Prism REVO360MC

Specifications

Model	R-360MCG
Prism constant	-5mm
Prism height	50mm
Targetable angle	Vertical $\pm 30^\circ$ Horizontal 360°
Mounting screw	UNC5/8-11 Female
Dimensions	84×84×90mm
Weight	approx. 450g



Robust body

Utilizing a core material with excellent toughness, this is a vibration-resistant prism specifically designed for construction machinery such as graders.



Features

Reduce the prism lost

Seamlessly connected 6 prisms make strong beam reflection

Replaceable prisms

Each prism is independent and non-glued.

Prism Type

When used with a wide range of accessories, it can adapt to various fields and applications.

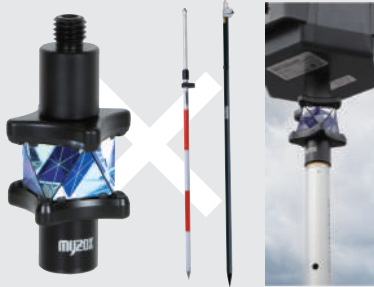
Z-360EH



Prism Pole
with 5/8inch screw

Useful Field

GNSS Hybrid Survey
Topo Survey
Stake Out
Layout Navigation



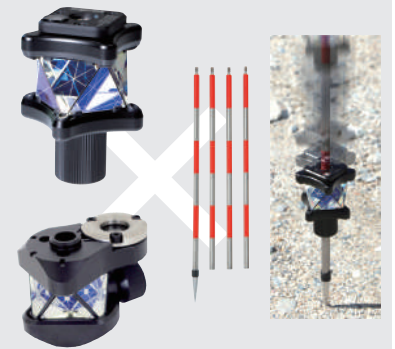
Z-360E Z-220P



9mm dia. Pin Pole

Useful Field

GNSS Hybrid Survey
Topo Survey
Stake Out



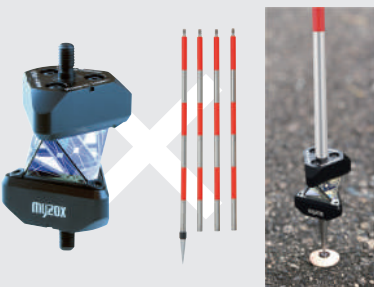
R-360



9mm dia. Pin Pole

Useful Field

Topo Survey
Stake Out
Monitoring



R-360MC



Prism Pole
or
Heavy Machinery

Useful Field

Machine Control
(LPS system)



Myzox Co., Ltd.

401 Yamagoe, Nagakute, Aichi 480-1111 Japan
TEL : +81-561-64-2210 FAX : +81-561-63-7770

www.myzoxjapan.com

Your Local Authorized Myzox Dealer is :